

# AstriDevCon

Matt Jordan  
@mattcjordan  
Director of Technology, Digium



# Last year's goals

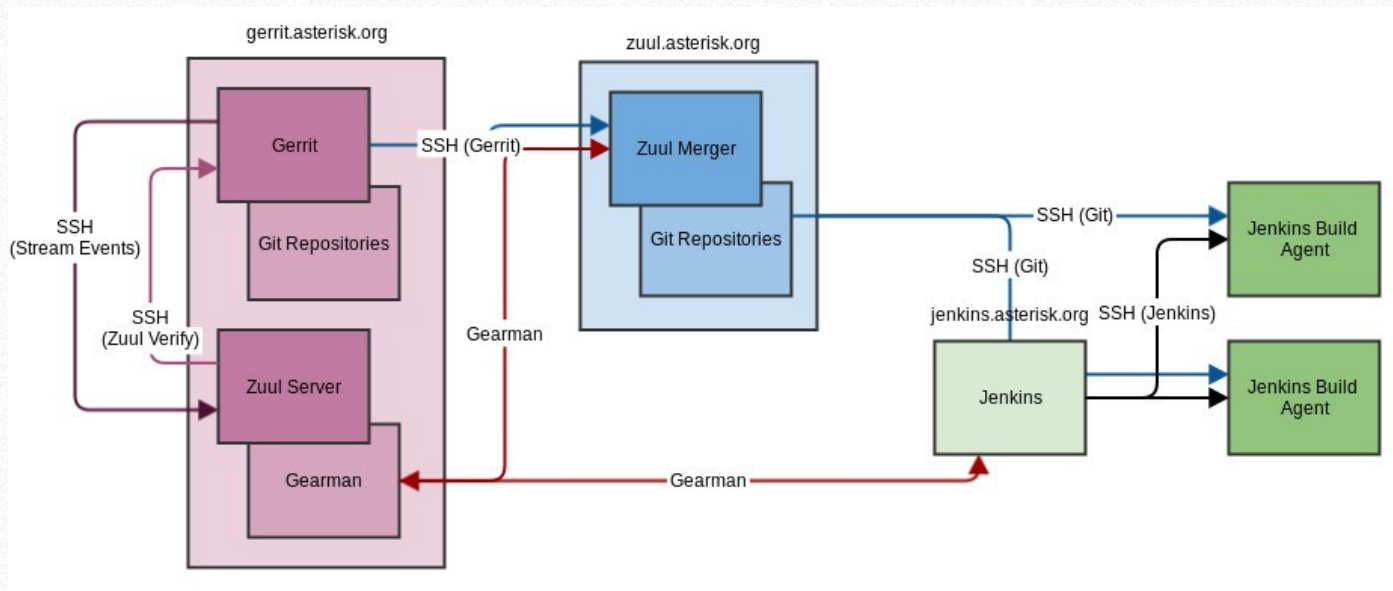
- Git!
- Documentation
- Asterisk as a media application server

- Git!
- Documentation
- Asterisk as a media application server
- Deprecate the dialplan

# Last year's goals

- Git!
- Documentation
- Asterisk as a media application server
- ~~Deprecate the dialplan~~

- Project moved to Git in May
  - Asterisk
  - TestSuite
  - Repotools
  - Infrastructure
  
- Infrastructure
  - Gerrit
  - Zuul
  - Jenkins
  
- Mirrored on Github
  
- Approximately 1400 reviews since May



- Lots of new pages on the wiki
- Super Awesome Company
- “Basic PBX”
  - PJSIP devices
  - SIP provider
  - Voicemail
  - Conferencing



- Hold Intercept
- Continue to label
- Redirect (external)
- Originate to priority label
- Originating channel during creation
- Push configuration
- Module manipulation
- Log manipulation
- Connected Line events
- Contact/Peer Status events
- “All” subscriptions

# What is the future?